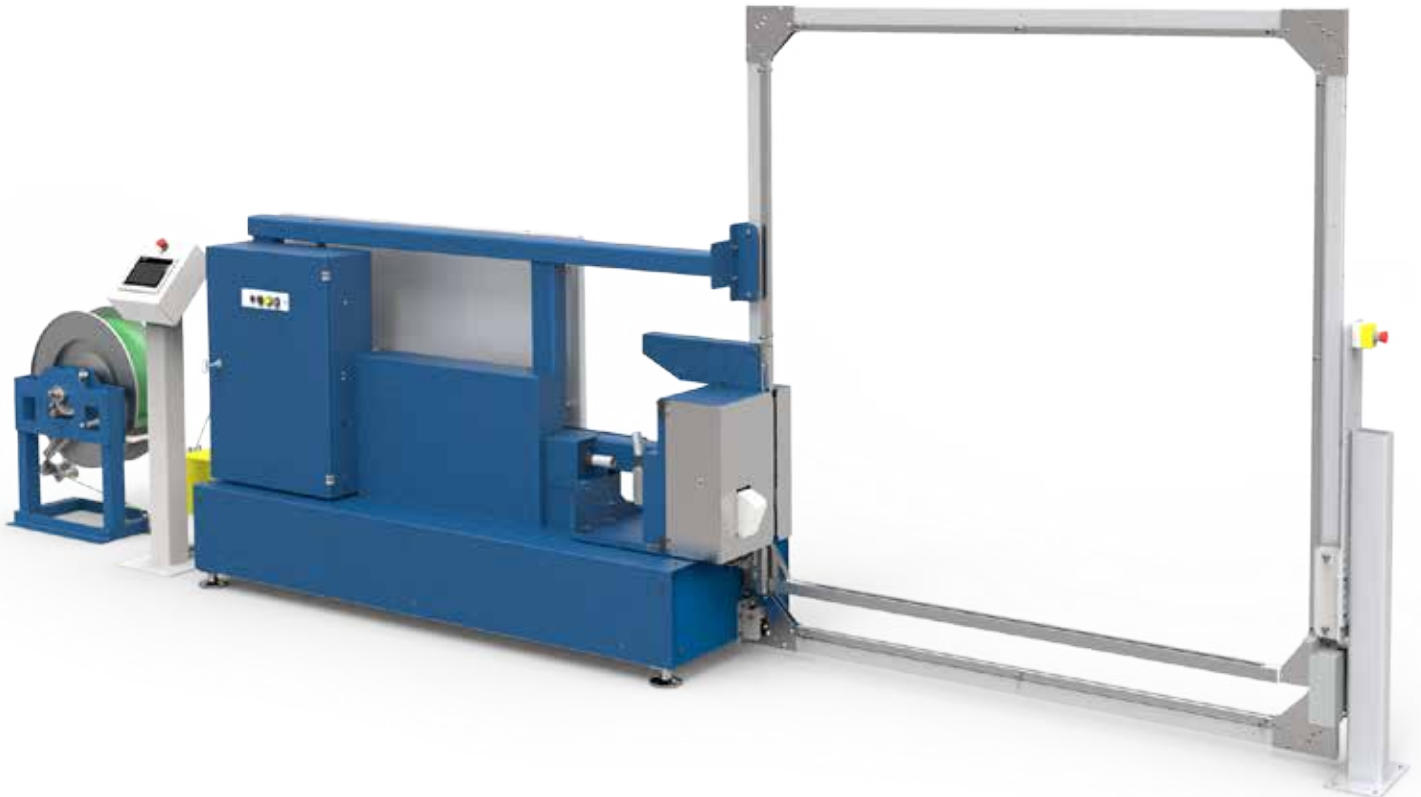


USI-Sonixs

Strapping Machine



- Versatile high-tension side seal strapping machine
- Indexing head accommodates product positioning requirements
- Features Mosca's proprietary Sonixs ultrasonic sealing technology for consistently strong seals with 9-12mm PP or PET strapping
- Optional pallet lance, fixed track under-pallet feed or auto through/under based on pallet load detection



Standard Features

The USI-Sonixs is a versatile, high-performance side seal strapping machine designed to strap large packages and shipping units. The strapping head indexes to meet the side of the load, and it can strap through pallet voids or under the product for maximum versatility. It features Mosca's proprietary Sonixs ultrasonic sealing technology and operates reliably with polypropylene or polyester strapping up to 12mm wide. The USI-Sonixs offers track widths of 60" and 72" and can be built to heights of up to 110".

Sealer

- Mosca Sonixs ultrasonic sealing unitizer head
- DC brushless direct drive motors
- Open construction with sealed bearings for resistance to dust/dirt and long service interval
- Consistent ultrasonic sealing of PP or PET strapping without smoke
- Up to 450 lbs. of tension

Structure

- Rugged welded tubular steel frame
- Precise ballbearing guides for pallet lance and strapping head movement
- Accommodates conveyor heights from 8-15" standard. Other heights available upon request

Strap Track

- Standard arch widths of 60" and 72", and heights of 72" to 110"
- Optional pallet lance, under pallet feed or automatic selection based on product configuration
- Tubular steel track structure with low friction UHMW strap feed surface and stainless steel spring gates
- Under feed option requires 4" clearance between conveyors
- 'Pallet lance only' configuration does not require a conveyor gap

Controls

- Siemens S7 PLC with touchscreen HMI
- Operating parameter adjustments and manual function done via HMI
- Automation by signal exchange with external system controller
- EAM-Mosca can work with a third party integrator to meet turn key requirements



The USI-Sonixs can have a lance, standard track, or both: lance will deploy only when a pallet void is detected.

Technical Data

Production Rate: Typical range from 10 - 20 seconds/cycle depending on pallet type, track size and product size.

Strapping: 9 - 12mm PP or PET

Track Size:

Width: 60" or 72"

Height: 72" - 110"

Electrical: 200-575 V_e, 50/60 Hz, 3 PH

Strap Tension: DC motor controlled, adjustable up to 450 lbs.

Controls: Siemens S7 PLC with touchscreen HMI

Strap Seal: Sonixs ultrasonic seal

Machine color: Mosca Blue RAL5010

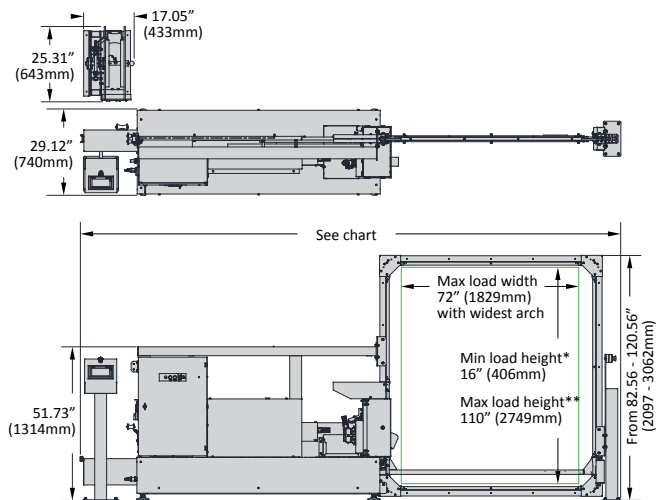
Shipping weight: Approximately 1200 lbs.

Options:

- Pallet lance and/or lower track
- Additional machine frame height
- Right angle dispenser configuration



The Sonixs ultrasonic high-tension head indexes up to 18" to meet incoming loads



* With lance. 12" without lance and min 12" conveyor height.
** With lance. Add 2" without lance.

	Total Machine Length	
	60" Arch	72" Arch
Lance	182.6" (4638mm)	206.6" (5248mm)
No Lance	167.62" (4258mm)	179.92" (4570mm)



EAM-Mosca Corporation

675 Jaycee Drive
Hazle Township, PA 18202
ph: 800.456.3420
570.459.3426
fx: 570.455.2442
www: info@eammosca.com
www.eammosca.com

In Canada, call or write:

EAM-Mosca (Canada) Ltd.
170 William Smith Drive
Whitby, Ontario L1N 9N3
ph: 905.665.8225
fx: 905.665.8188