

ROMS6-VA-Sonixs

Strapping Machine



- Stainless Steel Side Seal Strapping Machine
- Designed for superior performance in cold/wet environments
- Sonixs ultra-sonic sealer offers PP or PET strap options ranging from 5 mm to 12 mm wide
- Machine is classified as IP56
- Model shown with special conveyor height spacers and optional pneumatic press



ROMS6-VA-Sonixs

Standard Features

EAM-Mosca is a strapping systems provider dedicated to providing high performance solutions to production driven customers. This is evident in our equipment technology, strapping that is designed and produced to optimize system operation and in our parts and service support that keeps the system operating at peak performance throughout its life.

- Mosca's ROMS-6-VA side-seal design keeps the strap sealing head clear from falling debris that can affect strapper performance. It also allows machines to reach very low conveyor heights.
- The machine is IP56 rated as being unaffected by dust and water jet ingress per the International Protection rating system.
- The ROMS-6-VA is built around Mosca's Standard 6 Strapway, which includes its advanced Standard 6 strapping head and precision strap feeding system for extreme feed reliability. It also features tool-less access to the feed track for fast, easy cleaning and servicing.
- The ROMS-6-VA features Mosca's Sonixs ultra-sonic sealer, enabling operation with either PP or PET strapping, a first for this class of strapping machine and a performance and cost advantage.
- Built primarily from high grade stainless steel with very low carbon content to resist corrosion, the system is configured for superior performance in cold, moist environments typical of meat, poultry and seafood packaging operations.
- Brushless DC motor technology for precise operational control and minimal maintenance needs.
- Strap loop ejects if machine is cycled without package in place.
- Coil-end detection and ejection (tower light and audible signal available as an option) further enhances system reliability.
- Can be cycled manually via pushbutton on operator panel with optional footswitch or automatically by optional Signal Exchange capability.
- Easy accessibility and tool-free disassembly of strap path components.
- Flexible dispenser position specified at time of order. Can be mounted on side or top of cabinet, load coil from front or rear of machine.
- Hinged, stainless-steel side plates provides easy access to sealer head for routine maintenance.
- Adjustable strap tension via control panel.
- Convenient operation from both sides of machine using rotatable membrane switch panel with fault diagnostics.
- 4 locking swivel casters for convenient portability with stability in operation.

Technical Data

Production Rate: 1.5 to 3 seconds per cycle depending on track size.

Strapping: 5mm, 6mm, 8mm, 9mm, 11mm and 12mm PP and PET.

Electrical: 200-575v 3pH, 50/60 hz, 5.3 KVA

Strap Tension: DC Motor Controlled, adjustable to 80 lbs.

Strap Seal: Sonixs ultra-sonic sealer

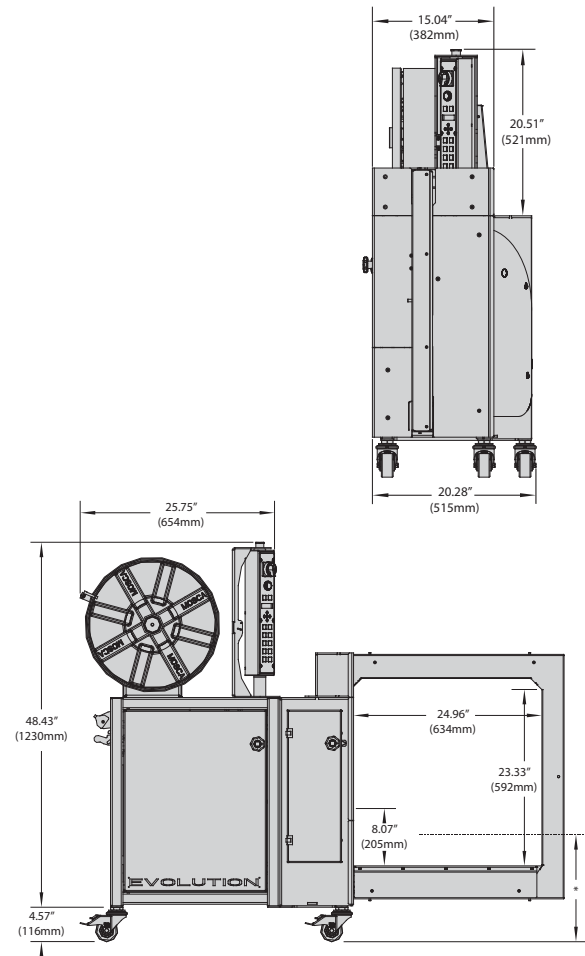
Conveyor Height: Varies based on application

Machine Color: Stainless Steel

Machine Shipping Weight: Approximately 800 Lbs.

Options:

- Dual Dispenser with manual changeover or automatic
- Optional Double Press
- Trouble light and low strap indicator
- Footswitch
- Signal Exchange



* Conveyor height varies based on application



EAM-Mosca Corporation

675 Jaycee Drive

Hazle Township, PA 18202

ph: 800.456.3420

570.459.3426

fx: 570.455.2442

E-Mail: info@eammosca.com

www.eammosca.com

In Canada, call or write:

EAM-Mosca (Canada) Ltd.

170 William Smith Drive

Whitby, Ontario L1N 9N3

ph: 905.665.8225

fx: 905.665.8188