

CTV SoniXs®

5 Headed Electric Compression Unitizer



KEY FEATURES



Up to
220 Loads
Per Hour



Up to 5
SoniXs®
Sealing
Heads

APS

Safety
Platen
Lockout



Up to
8000 Lbs
Electric
Compression



Standard
20" - 98"



Standard
8"-96"



Optional
Pallet Lance



Optional
Turn Table

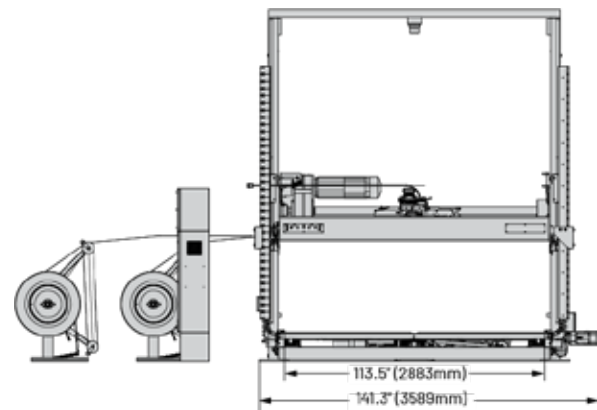
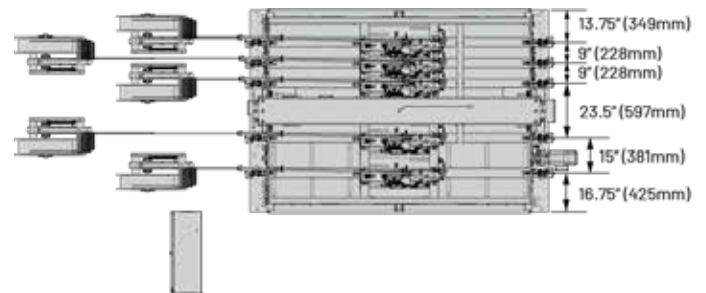
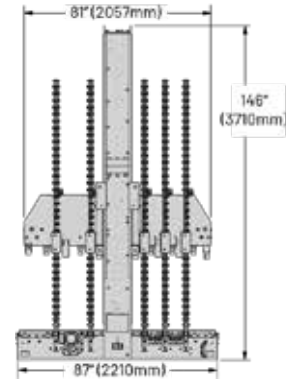
5 Headed Electric Compression Unitizer

The CTV SoniXs® all-electric compression unitizer features up to five narrow SoniXs® strapping heads. This allows for single platen hits on the widest variety of load sizes in the industry for maximum strap placement flexibility and increased throughput.

Optional "MoscaTrak" diagnostics and data collection screen provides real-time data to determine corrective actions and maximize up-time.

Mosca's proprietary SoniXs® ultrasonic sealing technology creates a reliable, strong seal with increased cycle life, no warm-up required, reduced cleaning, and preventive maintenance.

MODEL	CTV 803	CTV 804	CTV 805
NO. OF STRAPPING HEADS	3	4	5
HEAD SPACING	9" - 9" - 23.5" - 15"		
PRODUCTION RATE (LOADS PER HOUR)*	2 x 0 Pattern - Without Lances: 220 With Lances: 170 2 x 2 Pattern - Without Lances: 105 With Lances: 90		
ELECTRICAL	480VAC 3pH, 60 hz, 40 Amps		
CONTROLS	O.E.M. Controls: Allen-Bradley CompactLogix PAC Standard		
CONVEYOR	Dual strand tangential chain drive for consistent load positioning. Heavy duty 2.38" diameter steel rollers on 3.63" and 4.25" centers.		
CONVEYOR SPEED	60 Ft Per Minute (standard) 45 Ft Per Minute (optional)		
COMPRESSION	Electric Compression. Just touch up to 8000 Lbs. 10 settings.		
LOAD DIMENSIONS	Width: 20" - 98" Length: 20" (min) Height Without Lances: 8" - 96" Height With Lances: 12" - 96" Diagonal: 100" max (applies only to optional internal turntable)		
STRAPPING	PET strap: 9mm, 11mm, or 12mm PP strap: 12mm		
STRAP SEAL	SoniXs® ultrasonic seal, with DC brushless direct drive motors		
COMMON OPTIONS	<ul style="list-style-type: none"> • MoscaTrak (performance and maintenance diagnostics tool) • Internal Turntable (cross-arm style. Continuous in either direction. Load capacity 2,500 lbs) • Lances (PVFA) Feed strap through pallet voids with "clear path" sensing • Advanced Platen Safety System with Platen Zero Energy State (platen ZES) • Spare Head/Test Stand 		
ADDITIONAL OPTIONS	<ul style="list-style-type: none"> • Manual Control Station • Extra High Platen Opening • End Of Coil Strap Catching and Strap Splicing Device • Custom Paint (RAL color chart) 		



Please visit our website for more information about Mosca's SoniXs® technology.

U.S.A, Latin America and Caribbean:

EAM-Mosca Corporation
 675 Jaycee Drive
 Hazle Township, PA 18202
 800.456.3420
 570.459.3426
 570.455.2442
 info@eammosca.com
 www.eammosca.com

Canada:

EAM-Mosca Canada Ltd.
 170 William Smith Drive
 Whitby, Ontario, L1N 9N3
 800.633.6392
 905.665.8225
 905.665.8188
 info@eammosca.com
 www.eammosca.com