

ROMP-6B & ROMP-6R

Automatic Belt & Roller Models



- Up to 40 Unit per Minute Throughput Capability
- Innovative Standard-6 Sealer and Precision Strap Path Increase Productivity and Minimize Routine Maintenance Costs.
- Your Choice of Sonix Ultrasonic Seal or Electronically Controlled Heat Seal Technology.



ROMP-6B & ROMP-6R

Standard Features

The new Evolution ROMP-6B (Belt Conveyor) and ROMP-6R (Roller Conveyor) models feature reliable, entry-level automation capabilities. The modular design enables customers to configure the system to meet case-specific requirements. The Evolution line combines the best features of earlier models with Mosca's newest Standard-6 technology to achieve superior performance. This includes the low-maintenance lever and sealed-bearing construction for both heat and Sonix ultrasonic sealers, as well as a unified strap path for unparalleled efficiency and reliability.

General

- Up to 40 unit per minute throughput capability.
- Compact cabinet provides maximum strapping capability with minimal space requirements.
- Hinged conveyor top allows access to the sealer for jam removal or other maintenance.

Controls

- Proprietary modular control board increases cycle speeds and simplifies electrical troubleshooting.
- Optional control panel upgrade for enhanced strap placement controls and other program customizations, such as centerstrapping varied package sizes.

Sealer

- DC brushless direct drive technology and refined construction improves dependability and reduces service requirements.
- Available with electronically controlled heat seal or Sonix ultrasonic sealing technology, now both with sealed bearing construction. This feature greatly reduces the effect of dust buildup and ensuing service requirements.

Strap Path

- Precision strap path reduces jam risks for exceptional reliability.
- First interior corner of strap arch is made of aluminum for enhanced longevity.



The new Standard-6 Sealer is accessible via hinged tabletop. The Sealer's modular design offers tool-less track disassembly for fast cleaning and servicing.



Technical Data

Production Rate: Up to 40 units per minute, based on track and unit size.

Strapping: 5mm, 6mm, 8mm, 9mm and 12mm machine grade polypropylene.

Track Sizes: See chart below.

Electrical: 100V - 600V 50/60 Hz, 0.2 - 0.24 kVA

Air Requirements: No requirement for standard machine. 3 CFM @87 psi with press option.

Table: Powered belt or roller conveyors

Table Height: Standard frame: 32.25" - 36.5" (820mm - 925mm); Low frame: 28.75" - 32.85" (730 - 835mm) available upon request.

Strap Tension: DC motor controlled, infinitely adjustable up to 60 lbs.

Strap Seal: Electronic temperature-controlled heat sealer. Optional Sonix ultrasonic sealer.

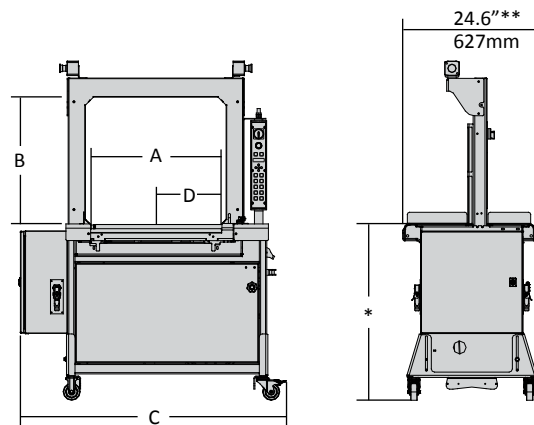
Machine Color: Mosca Blue RAL 5010

Machine Shipping Weight: Depending upon model, approximately 675 lbs. on pallet.

Casters: Heavy-duty, two swivel-lock and two fixed.

Options:

- Control upgrade
- Pneumatic press (reduces dimension B by 100 mm)
- Dual footbars
- Photo-eye and/or remote pedal activation
- Sonix ultrasonic sealer



*Standard Frame: 32.25" - 36.5" (820mm - 925mm)
Low Frame: 28.75" - 32.85" (730 - 835mm)

**Roller top depth. Belt top depth is 23.8" (605mm)

Standard Track Sizes	A		B		C		D	
	In.	mm	In.	mm	In.	mm	In.	mm
ROMP-6-60/6	23.6	600	23.6	600	49.3	1252	11.8	300
ROMP-6-80/6	31.5	800	23.6	600	57	1448	11.8	300
ROMP-6-100/8	39.4	1000	31.5	800	65	1651	11.8	300

EAM-Mosca Corporation

675 Jaycee Drive
Hazle Township, PA 18202
ph: 800.456.3420
570.459.3426
fx: 570.455.2442
www: info@eammosca.com
www.eammosca.com

In Canada, call or write:
EAM-Mosca (Canada) Ltd.
170 William Smith Drive
Whitby, Ontario L1N 9N3
ph: 905.665.8225
fx: 905.665.8188

