

ROMP-6 Evolution

Strapping Machine



- Innovative Standard-6 Sealer and Refined System Components Increase Production Time and Minimize Routine Maintenance Costs.
- Operate Machine from Front or Rear with 180° Pivoting Control Panel and Optional Dual Footbars.
- Your Choice of Sonixs Ultrasonic or Electronically Controlled Heat Seal Technology.



ROMP-6 Evolution

Standard Features

Mosca offers more than just superior strapping performance in a broad range of applications; our machines evolve. The ROMP-6 Evolution combines the best features of earlier models with Mosca's newest technology to achieve superior performance. Continuing with the same efficient DC brushless direct drive technology, the refined ROMP-6 features the innovative new Standard-6 Sealer with significantly reduced parts count, sealed bearing construction, and a precision strap track. If you want an adaptable, high-speed machine with low service costs and exceptional reliability, the ROMP-6 Evolution is for you.

- Direct drive technology and refined construction improves dependability and reduces service requirements.
- Compact cabinet provides maximum strapping capability with minimal space requirements.
- The Standard-6 is available with electronically controlled heat seal or Sonix ultrasonic sealing technology, now both available with sealed bearing construction. This new feature greatly reduces the effect of dust buildup and ensuing service requirements.
- Precision strap track reduces jam risks for exceptional reliability.
- Proprietary modular control board increases cycle speeds and simplifies electrical troubleshooting.
- Convenient front or side dispenser access for fast coil changes.
- Standard stainless table top, or optional cylindrical or ball rollers available for heavier product applications.
- 180° pivoting control panel and optional dual footbars enable machine operation from front or rear.

EAM-Mosca is a high-performance system solutions company focused on the sale of superior strapping equipment, further enhanced through the use of Mosca strapping and support:

- Our strapping is made from top grade materials using process parameters designed to minimize dimensional variation, dust creation and splitting while optimizing seal strength.
- We are committed to excellent customer service with typically next-day strap and parts service.
- Professional technical support located throughout North America and Mexico with no-charge phone support available during normal business hours. Factory or on-site training is available for your technical and maintenance staff.



The new Standard-6 Sealer is fully accessible for faster cleaning with quick-release tabletop

removal. The Sealer's modular design offers tool-less track disassembly for fast cleaning and servicing.



Technical Data

Production Rate: Up to 52 cycles per minute, based on track size and bundle size.

Strapping: 5mm, 6mm, 8mm, 9mm and 12mm machine grade polypropylene.

Track Size: See chart below.

Electrical: 110V - 220V 50/60 Hz, 0.5 kVA

Air Requirements: No requirement for standard machine. 3 CFM @87 psi with press option.

Table: Standard machine has stainless steel table top. Optional cylindrical or ball rollers.

Table Height: Standard frame: 32.25" - 36.5" (820mm - 925mm); Low frame: 28.75" - 32.85" (730 - 835mm) available upon request.

Strap Tension: DC motor controlled, infinitely adjustable up to 60 lbs.

Strap Seal: Electronic temperature-controlled heat sealer. Optional Sonix ultrasonic sealer.

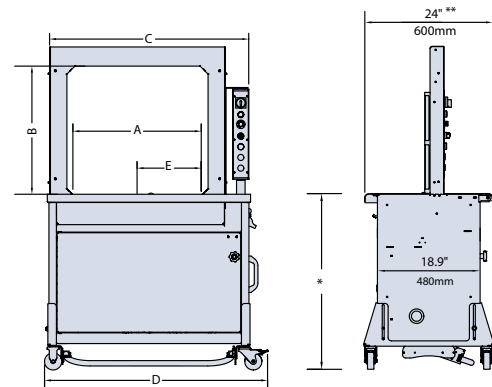
Machine Color: Mosca Blue RAL 5010

Machine Shipping Weight: Depending upon model, approximately 495 lbs. on pallet.

Casters: Heavy-duty, two swivel-lock and two fixed.

Options:

- Pneumatic Press (reduces Dimension B by 100 mm)
- Cylindrical Roller/Ball Roller Top
- Dual Footbars
- Photo-Eye and/or Remote Pedal Activation
- Sonix Ultrasonic Sealer



*Standard Frame: 32.25" - 36.5" (820mm - 925mm)

Low Frame: 28.75" - 32.85" (730 - 835mm)

**Additional table depth available upon request

| Standard Track Sizes | A | | B | | C | | D | | E | |
|----------------------|------|------|------|------|------|------|------|------|------|-----|
| | In. | mm | In. | mm | In. | mm | In. | mm | In. | mm |
| ROMP-6-50/4 | 19.7 | 500 | 15.7 | 400 | 37.4 | 950 | 41.1 | 1045 | 9.8 | 250 |
| ROMP-6-60/6 | 23.6 | 600 | 23.6 | 600 | 37.4 | 950 | 41.1 | 1045 | 11.8 | 300 |
| ROMP-6-80/4 | 31.5 | 800 | 15.7 | 400 | 45.3 | 1150 | 49 | 1245 | 11.8 | 300 |
| ROMP-6-80/6 | 31.5 | 800 | 23.6 | 600 | 45.3 | 1150 | 49 | 1245 | 11.8 | 300 |
| ROMP-6-100/8 | 39.4 | 1000 | 31.5 | 800 | 53.1 | 1350 | 56.9 | 1445 | 11.8 | 300 |
| ROMP-6-125/6 | 49.2 | 1250 | 23.6 | 600 | 63 | 1600 | 66.7 | 1695 | 11.8 | 300 |
| ROMP-6-125/10 | 49.2 | 1250 | 39.4 | 1000 | 63 | 1600 | 66.7 | 1695 | 11.8 | 300 |
| ROMP-6-165/6 | 65 | 1650 | 23.6 | 600 | 78.7 | 2000 | 82.5 | 2095 | 11.8 | 300 |

EAM-Mosca Corporation

675 Jaycee Drive
 Hazle Township, PA 18202
 ph: 800.456.3420
 570.459.3426
 fx: 570.455.2442
 www: info@eammosca.com
 www.eammosca.com

In Canada, call or write:

EAM-Mosca (Canada) Ltd.
 170 William Smith Drive
 Whitby, Ontario L1N 9N3
 ph: 905.665.8225
 fx: 905.665.8188

