

## TRI-6

### Strapping Machine



- 30 Bundles per minute throughput capability
- System straps in direction of product travel
- Configured in a two stage system, cross-straps without bundle turning
- Low maintenance DC drives and sealed bearing construction



## Standard Features

The TRI-6 is a uniquely designed strapping system that straps in the direction of product travel without the need for bundle turning devices. It is ideal as a stand-alone system or as a first or second stage unit in a cross-strapping system.

### General

- The TRI-6 uses a unique and simple system to place straps in the direction of product travel. The strap feed drive of the sealer pivots to feed through a fixed track mounted on a diagonal relative to package travel. This allows the product to convey into strapping position without interference from the pre-fed strap loop.
- TRI-6 features a combination press and strap guide that assures tight bundles and accurate strap placement on every bundle. The press can be driven pneumatically, or if greater control of speed and timing is preferred, electrically.
- The system tensions and seals up to 40 cycles/minute or 30 bundles/minute.
- Compact cabinet provides maximum strapping capability with minimal space requirements. The TRI-6 when paired with a TR-6 first stage bundler is a space efficient in-line cross strapping solution.
- Hinged conveyor top allows access to the sealer for jam removal or other maintenance.

### Controls

- The TRI-6 Base model features a membrane switch operator panel with all necessary operator functions for fully automatic operation plus diagnostics to assist with fault resolution.
- The TRI-6 Pro model includes a B&R PLC with an intuitive touch-screen HMI. It offers numerous options for advanced automation including managing strapping parameters based on data transmission from an external system controller.

### Sealer

- DC brushless direct drive technology and refined construction improves dependability and reduces service requirements.
- Available with Sonix ultrasonic sealing technology or electronically controlled heat seal, now both with sealed bearing construction. This feature greatly reduces the effect of dust buildup and ensuing service requirements.

### Strap Path

- Precision strap path reduces jam risks for exceptional reliability.
- First interior corner of strap arch is made of aluminum for enhanced longevity.
- Automatic strap threading for fast coil loading; and quick tool-less cleaning with snap-apart internal strap guides make maintenance a breeze.

## Technical Data

**Production Rate:** Up to 30 units per minute depending on package size.  
**Strapping:** 5mm machine grade polypropylene. Other sizes quoted on request.

**Track Size:** 500mm x 500mm, 400mm clearance under press

**Bundle Size:** Approximately 18" w x 14" h Maximum;  
 6" w x 1/2" h x 7" l Minimum

**Electrical:** 110-230V, 50/60hz, 1 Ph 0.25 KVA

**Air Requirements:** 3 CFM @87 psi with pneumatic press

**Conveyor Table:** Belt conveyor; Height: 30" – 35.5" infinitely adjustable

**Conveyor Speed:** Variable Speed, Split Belt; VFD controlled

**Strap Tension:** DC motor controlled, infinitely adjustable up to 60 lbs. including "touch" selection for delicate packages

**Strap Seal:** Sonix ultrasonic sealer or electronic temperature-controlled heat sealer

**Machine Color:** Mosca Blue RAL 5010

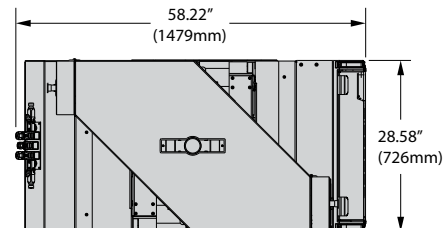
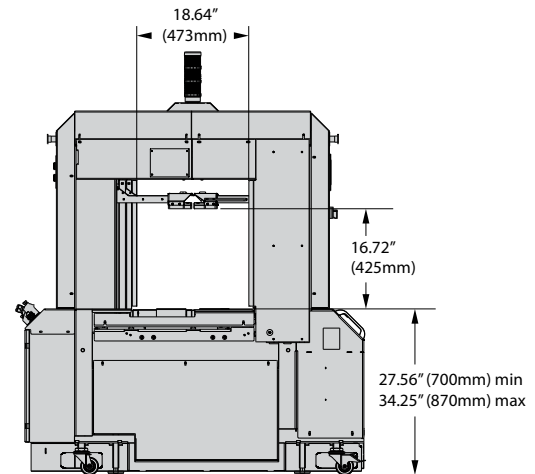
**Machine Shipping Weight:** Approximately 975lbs./430kg

**Casters:** Heavy duty, four swivel casters, two with brakes, plus two adjustable stabilizing feet

**Warranty:** One Year

### Options:

- Electric press
- Light tower
- Special function photo sensors
- Adjustable side guides
- Remote program access
- Special options evaluated on request
- Strapping management by recipe definition and data transfer



### EAM-Mosca Corporation

675 Jaycee Drive  
 West Hazleton, PA 18202  
 ph: 800.456.3420  
 570.459.3426  
 fx: 570.455.2442  
 www: info@eammosca.com  
 www.eammosca.com

In Canada, call or write

**EAM-Mosca (Canada) Ltd.**  
 170 William Smith Drive  
 Whitby, Ontario L1N9N3  
 ph: 905.665.8225  
 fx: 905.665.8188