

ROMS-6H-Sonixs

Strapping Machine



- Sophisticated, fully automatic horizontal strapping machine
- Designed for loads from 8" to 90" high
- Menu-selected or manual operator input strap placement
- Can be integrated into user network for remote operation and servicing



ROMS-6H-Sonixs

Standard Features

The Mosca ROMS-6H-Sonixs is a sophisticated, high-speed horizontal strapping system for use in an integrated production line. Available in four track sizes, a large product-height range, optional indexing strapping head and Sonixs ultra-sonic sealing head, it is a good choice for appliances, furniture, dairy and other industries that need to stabilize stacked loads.

- Vertical track frame movement is powered by electric motor drive via dual toothed-belt.
- Generous product height range of 8"/200mm minimum to 90"/2200mm maximum, including pallet height.

Mosca Evolution Sonixs ultrasonic sealing head including:

- DC brushless direct drives for long life and quiet operation.
- Tool-less strap track disassembly for convenient cleaning and servicing.
- Sonixs ultra-sonic sealing with zero warmup, no smoke and self-calibration assuring consistent high strength seals on every cycle.
- Precision fully enclosed strap feed track system for excellent feed reliability.
- Siemens touch panel operator interface for intuitive selection of operating parameters.

Two choices for automatic strap pattern and placement selection:

- Up to 10 preselected patterns of up to 10 straps each can be stored in the machine controller.
- Operator can enter specific strap pattern and positions via touchscreen.
- Dependent on load sizes, transport speed and drive options, the ROMS-6H-Sonixs is capable of placing 3 straps on up to 120 packages per hour.

Popular options include:

- Three color machine status signal light.
- Electrically powered strap guide for near perfect strap placement. Without optional guide strap accuracy is to +/- 2".
- Horizontal indexing of the Sonixs sealing head and track up to 13.75"/350mm brings sealer into contact with product for maximum and most consistent strap tensioning.
- High speed drives for vertical and/or horizontal movement of the track frame and sealer for max throughput. Application analysis matching machine specification with throughput requirements is recommended.
- Open Data Interface to integrate the unit with other machines in the customer network and enable control from a central control station. Connecting to the user IT network via Ethernet cable makes possible remote servicing by the EAM-Mosca Technical Service Team.

Technical Data

Production Rate: Up to 120 triple strapped pallets per hour with high speed vertical and horizontal frame drives, depending upon track, product size and conveyor speed.

Track Movement Options:

- Vertical: Standard: .35 m/s; High Speed: 1 m/s
- Horizontal: Standard: .17 m/s; High Speed: .35 m/s

Strapping: 5 - 12mm PP or PET (specify at time of order)

Strap Coil Size: 8" coil width and diameter for PP; PET use may require a 16" coil and 16" ID dispenser

Track Sizes: See Chart

Electrical: 480 V, 60 Hz, 3 PH; 3.5 kw power consumption

Strap Tension: DC motor controlled, adjustable up to 450 lbs.

Controls: Siemens S7 PLC with touchscreen HMI

Conveyor height: 19.7"/500mm standard. Other heights quoted on request

Product height including pallet:

Minimum: 8"/200mm Maximum: 90"/2200mm

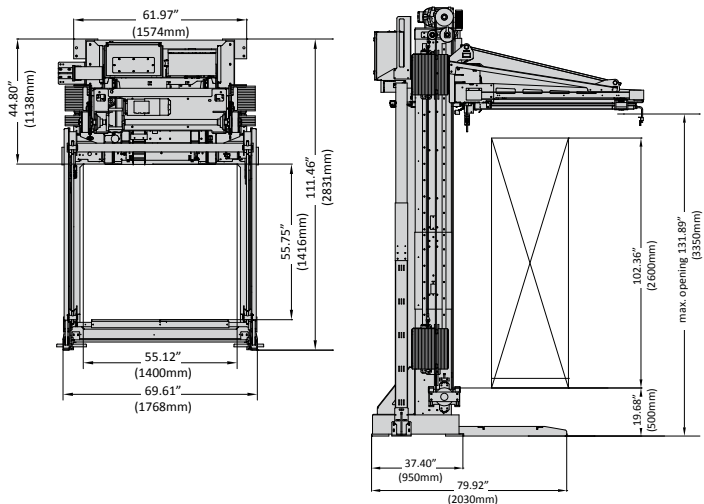
Strap Seal: Sonixs ultrasonic

Machine color: Mosca Blue RAL5010

Shipping weight: Approximately 1200 lbs.

Options:

- 3 Tier Light Tower-Red, Amber, Green with low strap indicator
- Signal Exchange with material handling devices
- High speed
- Muting system
- Safety guards
- Special paint



Track Sizes		Package Sizes*	
Length	Width	Length	Width
39.5"/1000mm	39.5"/1000mm	31.50"/800mm	31.50"/800mm
39.5"/1000mm	55.25"/1400mm	31.50"/800mm	47.25"/800mm
55.25"/1400mm	39.5"/1000mm	47.25"/1200mm	31.50"/800mm
55.25"/1400mm	55.25"/1400mm	47.25"/1200mm	47.25"/1200

*Max product size is approximately 7.85"/200mm less than the track opening in each direction



EAM-Mosca Corporation

675 Jaycee Drive
Hazle Township, PA 18202
ph: 800.456.3420
570.459.3426

fx: 570.455.2442
www: info@eammosca.com
www.eammosca.com

In Canada, call or write:

EAM-Mosca (Canada) Ltd.
170 William Smith Drive
Whitby, Ontario L1N 9N3
ph: 905.665.8225
fx: 905.665.8188