

MCB-2 | MCB-2XT

REVOLUTIONIZE YOUR
END-OF-LINE [PACKAGING]
PERFORMANCE



Fully Automatic In Line
Squaring Bundler



Heat Seal



Track Size Up To 1600mm Wide



Up To 27 Single Strapped Bundles
Per Minute



Machine Options Available



MCB-2 | MCB-2XT

FULLY AUTOMATIC SQUARING BUNDLER WITH BUNDLE PUSHER TRANSPORT

The MCB-2|MCB-2XT strapping system is a fully automatic corrugated bundle strapper with integrated squaring device. The automatic in-line strapping machine features fast, automated setup and job changes, giving extremely high process reliability and low maintenance.



TECHNICAL SPECIFICATIONS

Production Rate

Up to 27 single strapped bundles per minute at a pusher speed of 1.4 m/s and 200 mm package length

Track Size

MCB-2: 1300 mm (51") or 1600 mm (63")
MCB-2XT: 1600 mm (63")

Electrical

400 V, 50/60 Hz, 3L+N+PE (others on request)
Power consumption: Approx. 4 kVA, depending on options

Table

Pusher and Belt Driven

Strapping

Heat sealer runs PP strap from 5-9mm

Strap Seal

Heat Seal

Seal Location

Bottom

Machine Shipping Weight

1300 mm (51"): 1500 kg (3307 lbs.)
1600 mm (63"): 1700 kg (3748 lbs.)

OPTIONS

- + Three-part signal light (LED)
- + A/C for control cabinet
- + Automatic splicing dispenser (BSG 2 + additional coil)
- + QS system (automatic ejection of damaged packages)
- + Interface
- + Lateral adjustment unit motorized
- + Driven transport
- + Package transport small packages (only for MCB-2XT)
- + Extended presser wheels bar by 1 or 1.5 m
- + Special conveyor heights



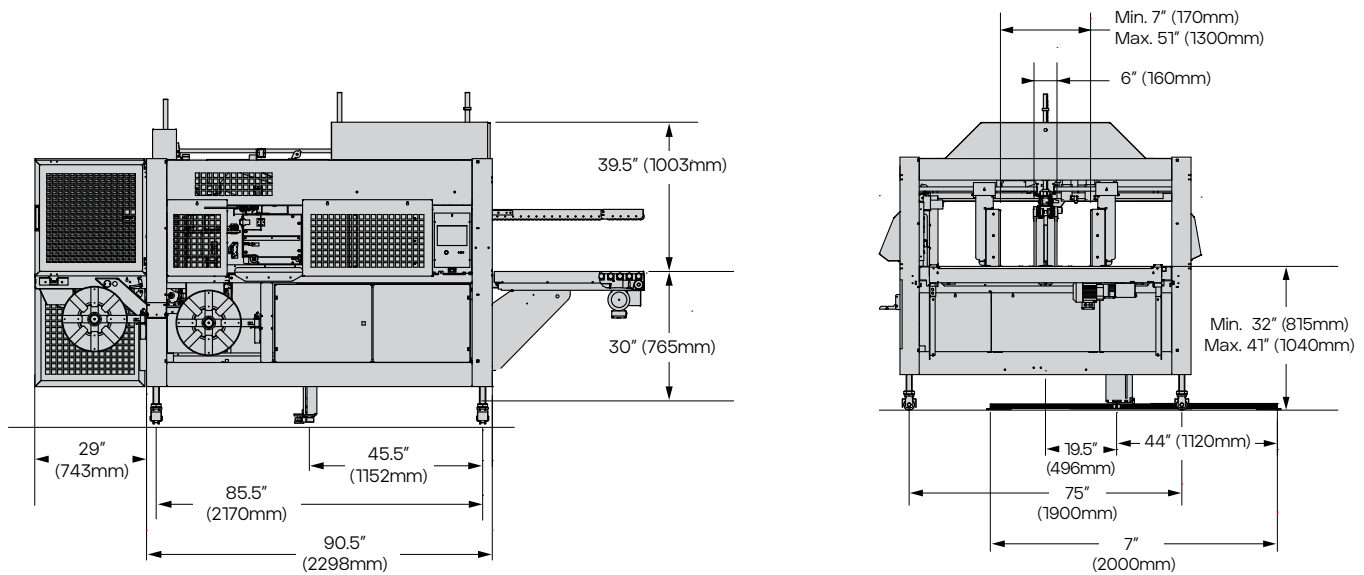
SCAN
HERE

Want to see the
MCB-2 | MCB-
2XT in action?
Use the QR code
to learn more.

MACHINE DIMENSIONS

Package Sizes			
	Length	Width	Height
Package Min.*	240mm (9.5")	170mm (6.5") 330mm (13")	40mm (1.5")
Package Max.**	1300mm (51")	1300mm (51") 1600mm (63")	350mm (14")

* Lengths ranging from 170 - 240 mm, only with the "Package transport out of strap level" option
 ** Lengths above 1300 mm with a pusher (double pusher standard) only



CONTACT US FOR A FREE CONSULTATION TODAY
www.eammosca.com | info@eammosca.com

U.S.A, Latin America & The Caribbean

EAM-Mosca Corporation

675 Jaycee Drive, Hazle Township, PA 18202
 Phone: 800.456.3420 / 570.459.3426
 Fax: 570.455.2442

Canada

EAM-Mosca Canada Ltd.

170 William Smith Drive, Whitby, Ontario, L1N 9N3
 Phone: 800.633.6392 / 905.665.8225
 Fax: 905.665.8188