

ROMP-6-VA

Strapping Machine



- Sealed and Splash Proof System Features Stainless Steel Cabinetry, Table-Top and Moisture Resistant Version of Sonix Ultrasonic Sealer.
- Innovative Standard-6 Sealer and Refined System Components Increase Production Availability and Minimize Routine Maintenance Costs.



ROMP-6-VA

Standard Features

Mosca offers more than just superior strapping performance; our machines evolve. The ROMP-6-VA is a line extension of the Evolution Series and adds to the system options for high-volume poultry, meat and seafood processors, or any wet, harsh environment. The ROMP-6-VA is an automatic, stainless steel, walk-up strapping system that features a stainless table-top and a moisture resistant version of Mosca's Sonixs Ultrasonic Standard-6 Sealer. The rugged and compact system can be easily moved where needed and is a great stand alone unit or companion to the automatic, in-line ROMP-6R-VA or other Mosca stainless systems during peak periods.

General

- The ROMP-6-VA operates with efficient DC brushless direct drive technology and a precision strap track for reduced maintenance needs and lowest total cost of ownership.
- Rugged compact cabinet provides maximum strapping capability with minimal space requirements.
- Sealed and splash proof ROMP-6-VA features stainless steel and corrosion resistant cabinetry and system components for longevity.
- Convenient front or side dispenser access for fast coil changes.
- Standard stainless table top, or optional cylindrical rollers available for heavier product applications.

Controls

- Proprietary modular control board increases cycle speeds and simplifies electrical troubleshooting.
- 180° pivoting control panel and optional dual foot-bars enable machine operation from front or rear.

Sealer

- Proven, innovative Standard-6 Sealer with significantly reduced parts count and sealed bearing construction.
- VA version features a coated Sonixs Ultra-sonic sealer.

Strap Path

- Precision strap track reduces jam risks for exceptional reliability even with narrow straps.

Strap/Service

- EAM-Mosca is a high-performance system solutions company focused on the sale of superior strapping equipment, further enhanced through the use of Mosca strapping and support:

Technical Data

Production Rate: Up to 52 cycles per minute, based on package size.

Strapping: 5mm, 6mm, 8mm, 9mm and 12mm machine grade polypropylene.

Track Size: 600 x 600

Electrical: 110V - 220V 50/60 Hz, 0.5 kVA

Air Requirements: No requirement for standard machine. 3 CFM @87 psi with press option.

Table: Standard machine has stainless steel table top. Optional cylindrical rollers.

Table Height: Standard frame: 32.25" - 36.5" (820mm - 925mm); Low frame: 29" - 32.85" (736 - 835mm) available upon request.

Strap Tension: DC motor controlled, infinitely adjustable up to 60 lbs.

Strap Seal: Sonixs ultrasonic sealer.

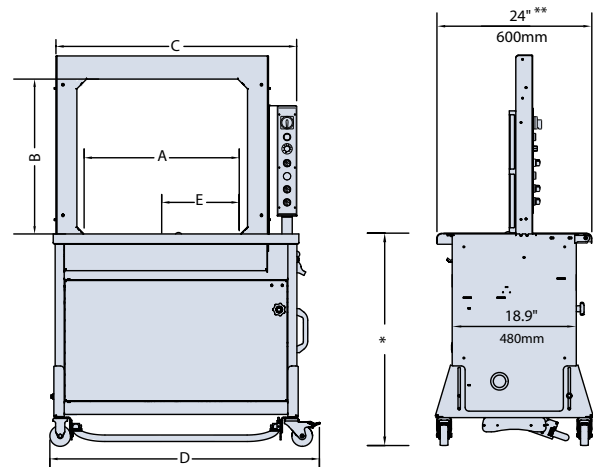
Machine Color: Stainless Steel

Machine Shipping Weight: Approximately 495 lbs. on pallet.

Casters: Heavy-duty, two swivel-lock and two fixed.

Options:

- Pneumatic Press (reduces Dimension B by 100 mm)
- Cylindrical Roller Top
- Dual Footbars
- Photo-Eye and/or Remote Pedal Activation



*Standard Frame: 32.25" - 36.5" (820mm - 925mm)
Low Frame: 29" - 32.85" (736 - 835mm)

| Standard Track Sizes | A | | B | | C | | D | |
|----------------------|------|-----|------|-----|------|------|------|-----|
| | In. | mm | In. | mm | In. | mm | In. | mm |
| ROMP-6-VA | 23.6 | 600 | 23.6 | 600 | 49.3 | 1252 | 11.8 | 300 |



EAM-Mosca Corporation

675 Jaycee Drive
West Hazleton, PA 18202
ph: 800.456.3420
570.459.3426
570.455.2442
fx: info@eammosca.com
www.eammosca.com

In Canada, call or write

EAM-Mosca (Canada) Ltd.
170 William Smith Drive
Whitby, Ontario L1N9N3
ph: 905.665.8225
fx: 905.665.8188