

ROMS6-VA SoniXs

REVOLUTIONIZE YOUR
END-OF-LINE [PACKAGING]
PERFORMANCE



Operator Cycled or Fully
Automatic Strapping Machine



Standard 6 SoniXs®
Ultrasonic Sealer



Engineered For Cold, Wet
Environments



650mm x 600mm Track Size



Up To 40 Bundles Per Minute



ROMS6-VA SoniXs

SIDE SEALING STRAPPING MACHINE FOR CLOSING PRODUCTS IN HARSH WET ENVIRONMENTS

The ROMS6-VA SoniXs® is a strapping machine engineered for harsh food processing environments. Built to IP56 protection standards, the robust stainless-steel enclosure provides the best protection available in the market today. An IP (ingress protection) rating classifies the degree of protection against the intrusion of solid objects, dust, accidental contact, and water in electrical enclosures. The ROMS6-VA SoniXs® is available in both operator cycled and automatic strapping options.



The Ultimate Strap Sealing Solution

Mosca's proprietary SoniXs® ultrasonic sealing heads have revolutionized strapping systems offering significant and proven advantages over traditional heat-seal technologies, including cost, maintenance, and longevity across all industries and applications.

Unlike heat seal systems, SoniXs® strap seals are made without the use of high-temperature components, reducing energy costs, improving safety, and generating lower emissions.

A SoniXs® seal is harder to break, and the visible evidence of a break is irreversible. The distinctive impression on Mosca's ultrasonically-sealed strap makes it easy to identify if the packaging has been tampered with. The seal will be distinguishably different if a strap is removed and reapplied.

Key Benefits

- + **INCREASED SEAL STRENGTH**
 - + **COST SAVINGS**
 - + **LASTING DURABILITY**
 - + **CONSISTENT SEALING**
 - + **WORRY-FREE PRODUCT SECUREMENT**
 - + **ENERGY CONSERVATION**
 - + **LOW MAINTENANCE**
 - + **SEALS BOTH PP AND PET**
-

TECHNICAL SPECIFICATIONS

Production Rate

Up to 40 bundles per minute

Track Size

650mm H x 600mm W

Electrical

200-575v 3pH, 50/60 hz, 5.3 kVA

Strapping

SoniXs® sealer runs PP strap from 5-12mm and select PET straps.

Strap Tension

Infinitely adjustable up to 80 lbs.

Strap Seal

SoniXs® Ultrasonic seal

Seal Location

Side

Conveyor Height

Varies based on application

Machine Shipping Weight

Approx. 800 Lbs.

Casters

Four swivel-lock casters

SPECIAL FEATURES

- + A stainless-steel version of Mosca's SoniXs® ultrasonic sealing head for superior seal performance in cold, wet environments.
 - + Corrosion-resistant components and stainless steel enclosure for increased durability and system life.
 - + Easy safe Cleaning – IP56 protection ensures the system can be hosed down for cleaning and is protected against high-pressure water jets from any direction.
-

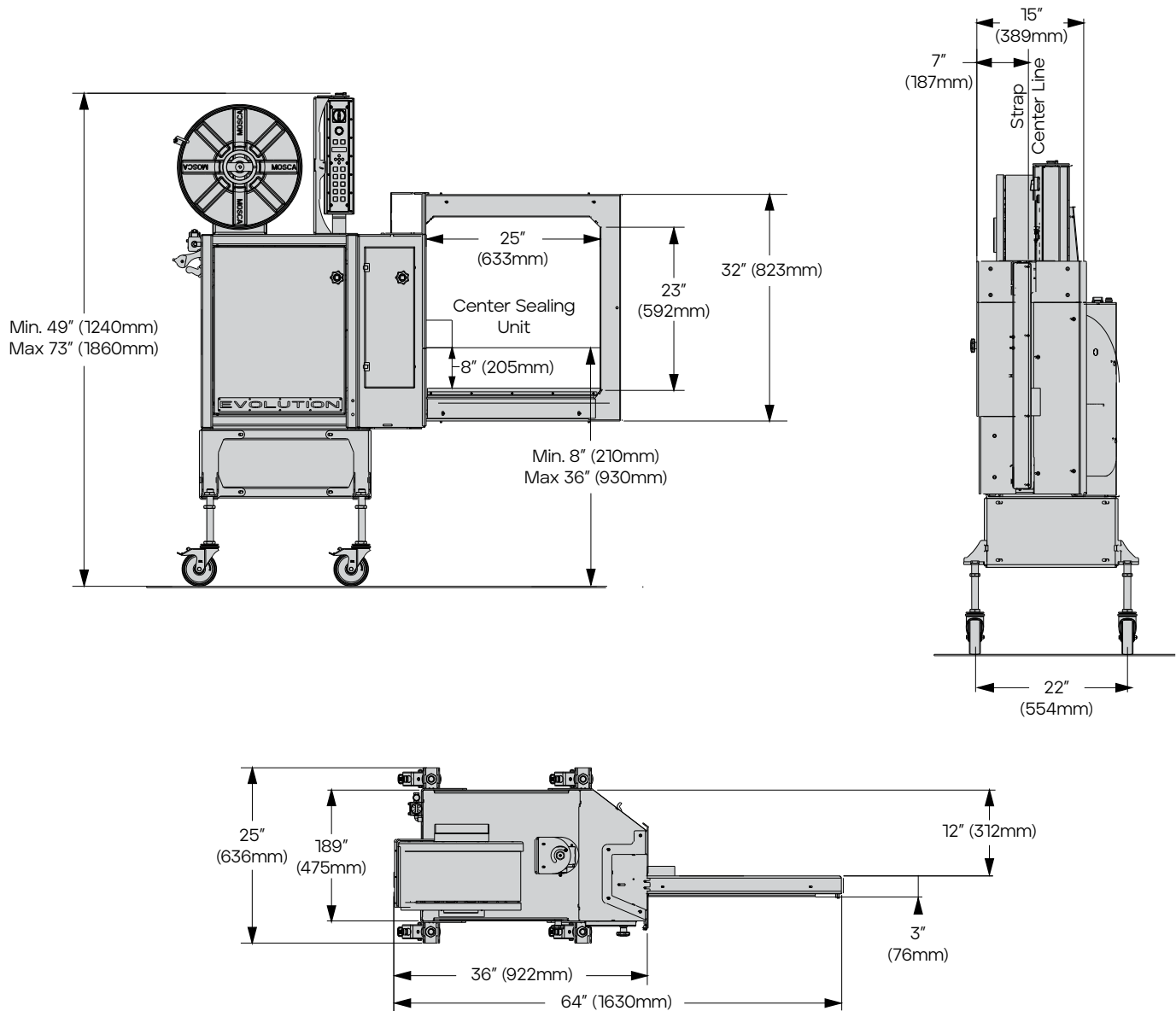
OPTIONS

- + Dual dispenser (with manual or automatic changeover)
- + Double press
- + Trouble light and low strap indicator
- + Footswitch
- + Signal exchange



Want to see the ROMS6-VA SoniXs® in action? Use the QR code to learn more.

MACHINE DIMENSIONS



CONTACT US FOR A FREE CONSULTATION TODAY
www.eammosca.com | info@eammosca.com

U.S.A., Latin America & The Caribbean

EAM-Mosca Corporation
 675 Jaycee Drive, Hazle Township, PA 18202
 Phone: +1 800.456.3420 / +1 570.459.3426
 Fax: 570.455.2442

Canada

EAM-Mosca Canada Ltd.
 170 William Smith Drive, Whitby, Ontario, L1N 9N3
 Phone: +1 800.633.6392 / +1 905.665.8225
 Fax: 905.665.8188