

# SATURN S4

REVOLUTIONIZE YOUR  
END-OF-LINE [PACKAGING]  
PERFORMANCE



Automatic Rotary Ring  
Stretch Wrapper



Medium Capacity:  
Up To 70 Pallets Per Hour



Machine Options Available



# SATURN S4

## AUTOMATIC ROTARY RING STRETCH WRAPPING MACHINE

The Saturn S4 is a medium capacity stretch wrapper featuring a rotary ring design where the load remains static while the film reels rotate around the load. The S4 is the best alternative to a rotating arm wrapping machine with increased balance, reduced mechanical wear, and low maintenance.



---

## TECHNICAL SPECIFICATIONS

---

### Production Rate

Up to 70 pallets/hour

---

### Electrical

Voltage: 480 V 3P / 60Hz +PE. Power supply: 4.5 kW

---

### Air Compression

6 bar

---

### Air Consumption

8 l/cycle / 64 l/cycle (with top film)

---

### Stretch Wrapping Film:

Max Width: 20"

Max Diameter: 9.8"

Core Diameter: 3"

Film Thickness: 40 - 135 Gauge

---

## SPECIAL FEATURES

---

- + Guaranteed savings of stretch film: 300% film pre-stretching. 1 m of film becomes 4m.
- + Finishes without tails of film due to our efficient cut and welding device.
- + Electronic and self-adjusting tension control depending on the profile of the load.
- + Option of applying efficient dustproof and rainproof wrappings.
- + Option to wrapping at ground level
- + Capable of applying bands (strips) at any height of the load.



SCAN  
HERE

Want to see  
the SATURN S4  
in action? Use  
the QR code  
to learn more.

---

## INCLUDED OPTIONS

---



**Quick-Load**



**Touch Screen**

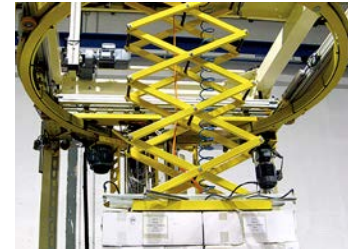
---

## OPTIONS

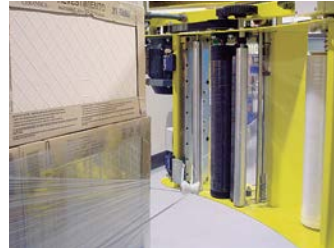
---



**Dust-Proof & Rain-Proof  
Top Sheet Dispenser**



**Motorized Hold Down Plate**



**Roping Device**



**EPS: Electronic Pre-Stretch  
System**



**ARC: Automatic Reel  
Change**

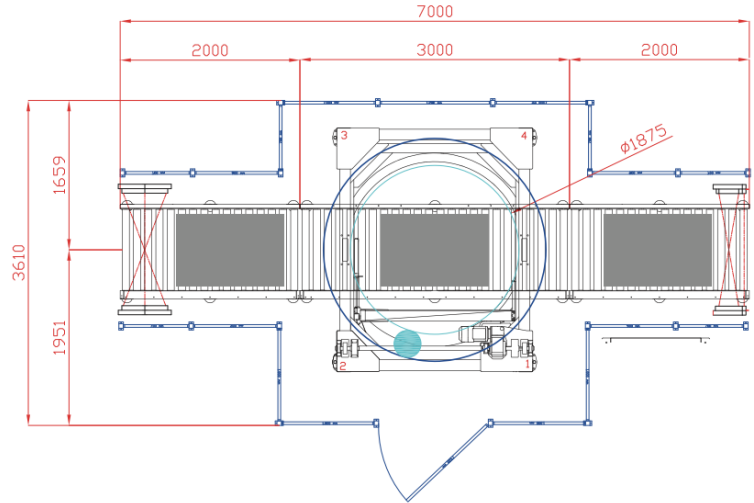
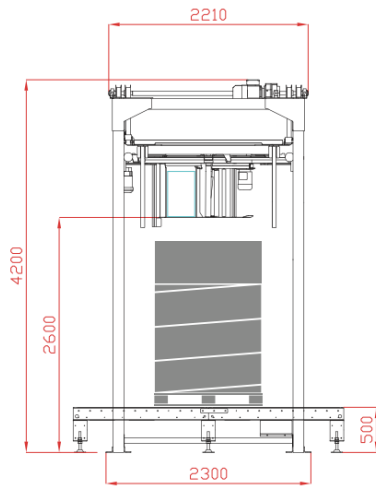


**ACBA: Automatic Corner  
Board Application**

---

# MACHINE DIMENSIONS

---



---

CONTACT US FOR A FREE CONSULTATION TODAY  
[www.eammosca.com](http://www.eammosca.com) | [info@eammosca.com](mailto:info@eammosca.com)

## U.S.A, Latin America & The Caribbean

### EAM-Mosca Corporation

675 Jaycee Drive, Hazle Township, PA 18202  
Phone: +1 800.456.3420 / +1 570.459.3426  
Fax: 570.455.2442

## Canada

### EAM-Mosca Canada Ltd.

170 William Smith Drive, Whitby, Ontario, L1N 9N3  
Phone: +1 800.633.6392 / +1 905.665.8225  
Fax: 905.665.8188